

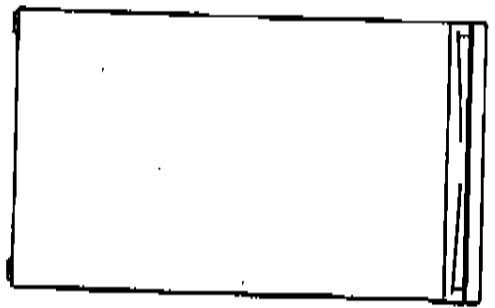
OPERATING INSTRUCTIONS

FR405

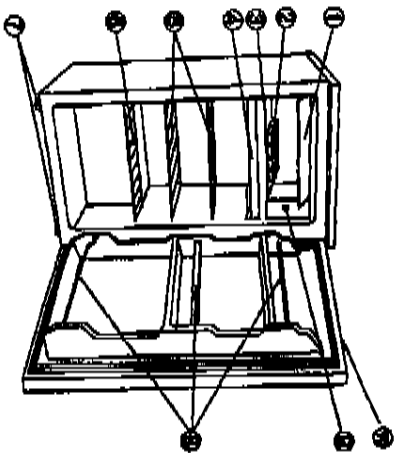
Please read this manual carefully before using the refrigerator



- NAME OF PARTS 1
- CORRECTLY POSITIONING 1
- USING YOUR REFRIGERATOR 2
- CAUTIONS 3
- REVERSING THE DOOR 3
- MAINTENANCE 5
- TROUBLE SHOOTING 5



1. Name of parts



- ① Chiller Compartment Door
- ② Ice Cube Tray
- ③ Chiller Compartment
- ④ Drip Tray
- ⑤ Removable Shelves
- ⑥ Long Shelf
- ⑦ Leveling Legs
- ⑧ Berth Roller
- ⑨ Temperature Control Knob
- ⑩ Reversible Handles

NOTE: This figure is only a sketch of the refrigerator, the actual product may differ from it.

2. Correctly positioning

Wall Ventilating

There is need of good ventilation around the refrigerator for easy dissipation of heat, high efficiency of refrigeration and low power consumption. For this purpose, sufficient clear space should be needed around the refrigerator. Its back is at least 100mm away from the wall, its sides at least have a space of 2000mm separately and the height from over its top is not less than 300mm. A clear space should be left to open its doors to 160°.

Power Supply

The refrigerator is only applied with power supply of single phase alternating current(See the rating label). If fluctuation of voltage in the district user is of so large that the voltage exceeds the scope, for safety sake, be sure to apply A.C. automatic voltage regulator to the refrigerator. The refrigerator must employ a special power socket instead of common one other electric appliances. Its plug must match the socket with ground wire.

Power Line Cord

The cord should be neither lengthened nor kinked into coil during operation. Moreover, it is forbidden that cord is kept close onto the compressor at the back of the refrigerator, the surface temperature of which is quite high when operating. Touching with it would deactivate the insulation or cause leakage for electricity. Extension cord is not recommended to use.

Protection from Moisture

Avoiding placing the refrigerator in a place where heavy moisture is present so as to minimize possibility of rusting for its metal parts. Still more, the refrigerator is forbidden to be directly sprayed by water. Otherwise, poor insulation and current leakage would occur.

Protection from Heat

The refrigerator should be far away from any heat source or direct sunshine.

Fixing Stable

Floor on which refrigerator will be placed must be flat and solid. It should not be laid on any soft material such as foam plastic, etc. If the refrigerator is not on the same level, adjust the screws suitably. The refrigerator should not be placed near anything which may echo.

Keep Away from Danger

It is infeasible that the refrigerator is placed near any volatilizable or combustibles such as gas, petrol, alcohol, lacquer and banana oil, etc. The above-mentioned objects can not be stored in the refrigerator.

Moving

When fixed or moved, the refrigerator can not be set horizontally or declined to more than 45° or upside-down.

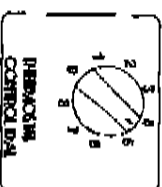
3.USING YOUR REFRIGERATOR

Temperature Control

- The first time you turn the unit on, set the temperature control to "8" position.
- The settings of the temperature control are "0, 1, 2, 3, 4, 5, 6, 7, 8". After 20 minutes, adjust the temperature control setting to "4". The setting of "4" should be correct for home or office use.
- To turn the refrigerator off, turn the temperature control to "0".

NOTE:

- Turning the temperature control to "0" position, stops the cooling cycle, but does not shut off the power to the refrigerator.



- If the unit is unpackaged, power lost, or turned off, you must wait 3 to 5 minutes before restarting the unit. If you attempt to restart before this time delay, the refrigerator will not start.

- You should put your appliance in the coolest place in your room, which can save energy consumption of your appliance. If the environment temperature is too high, the temperature in the refrigerator may not get the target temperature.

4. Cautions

- Water getting into ~~the~~ inside the refrigerator by opening doors may form a layer of frost inside. It will weaken the refrigerator when the frost is thick. While it is more than 2mm thick, you should defrost.
- Defrosting is operated manually. Before defrosting, take the bottle, then set the knob of the temperature regulator to position "0" (where the compressor will stop working) and leave the door open until ice and frost dissolve thoroughly deposited. In the case of speeding up the defrosting, you may put a bowl of warm water (about 50°C) into the evaporator, and be sure to set the knob of the temperature regulator to original position after defrosting.
- It's inadvisable to heat the evaporator directly with hot water or hair dryer while defrosting to prevent deformation of the inner case.
- It's also inadvisable to scrape of ice and frost which have been congealed together with the food with sharp tool or wooden bars, so as not to damage the inner casing or the surface of the evaporator.

3

- If the supply cord of this appliance is damaged, it must only be replaced by professional person or the repair shop appointed by the manufacturer.
- Before you throw away your old refrigerator, take off the door, leave the shelves in place, so that children may not easily climb inside.
- Never allow children to operate, play with, or crawl inside the appliance.

5. Reversing the door

This refrigerator has the capability of either opening the door from the left or right side. This unit is delivered to you with the door opening from the left side. Should you desire to reverse the opening direction, please follow these instructions.

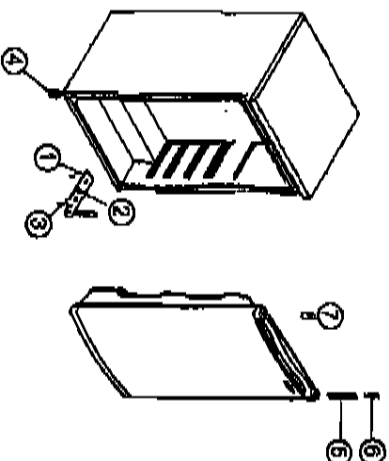
NOTE:

All parts removed must be saved to do the reinstallation of the door.

➤ Reversal Refrigerator Door

- Remove the two screws (1) that hold the lower hinge (2) (right side) to the frame.
- Remove the left front leg (4) and transfer it to the right side.
- Lift the door and place it on a padded surface to prevent scratching it.

- Make sure to remove the spring(5) located inside the upper right hole of the door and the upper right side pin(6).
- Remove the plug button(7)from the upper left hole of the door and transfer it to the uncovered hole at the right side. Be sure to press the button firmly into the hole.
- Insert the upper pin(8) previously removed from the right side and transfer it to the other hole at the left side of the top frame.
- Insert the spring(5)previously removed inside the upper left side hole of the door.
- Set the door in its place making sure the pin(6)enters the bushing at the lower upper frame section(hole).
- While holding the door in the closed position, secure the lower left hinge(2)previously removed.
- Insert the two screws(1)previously removed and tighten them.



- ① Screw
- ② Low Hinge
- ③ Adjustable Low Foot
- ④ Adjustable High Foot
- ⑤ Spring
- ⑥ Door Pin
- ⑦ Plug Button

3. Maintenance

- The refrigerator should be cleaned and maintained once a month.
- When performing maintenance, make absolutely sure that the power plug is first disconnected from the power outlet.
- Wipe the inner and outer surface of the refrigerator and its accessories with wet cloth. If they are too dirty, scrub them with neutral detergent, and then clean them with water and dry them with clean cloth. After this, a small quantity of glass wax is recommended to polish the refrigerator surface with a flannel.
- For cleaning, don't use hot water, diluent, petrol, alcohol, kerosene, washing powder, cleanser, alkaline detergent, acid, Chemical cloth, etc. So as not to damage the lacquer coat and plastics. It is forbidden than the refrigerator is directly sprayed with water. Otherwise, it would cause rusty or weaken the insulation.
- Be careful to upkeep the sealing rubber bars of the doors. They should always be treated.
- If the plastic parts in refrigerator remain contaminated for a long time by oil (animal or vegetable), they will be easy aged and possibly cracked. The drain pan gets dirty very easily if it is not cleaned regularly, bad odours will be produced, get into the habit of cleaning this pan regularly.

7. Troubleshooting

1. When the refrigerator does not work
 - Check if there is a power failure.
 - Check if the power plug is plugged into the power outlet.
 - Check that the fuse has not blown.
2. When the refrigerator is cooling excessively
 - The temperature control dial may be set too high.
 - If you place foodstuffs containing a lot of moisture directly under the cool air outlets, they will freeze easily. This does not indicate a malfunction.
3. When the refrigerator is not cooling sufficiently
 - The food may be packed too tightly together which will block the flow of cool air.
 - You may have put something hot or a lot of food stuffs into the refrigerator.
 - The door may not have been closed properly.
 - The door gaskets may be damaged.
 - The refrigerator may not be ventilated.
 - There may be insufficient clearance between the refrigerator and the surfaces immediately both sides and above.
 - The temperature control dial may not be set properly.

4. When the defrosting water overflows inside the refrigerator and onto the floor.
 - Check that the drain pipe and the drain hose are not clogged.
 - Check that the drain pan is housed properly.
5. When the refrigerator's cabinet front heats up
 - In order to safeguard against condensation, there is an anticondensation pipe which heats up the cabinet front when running activated. A warm cabinet front does not indicate a malfunction.
6. When condensation forms on the outside of the refrigerator.
 - Condensation may form on the outside when the humidity is high such as during a wet season. This is the same result as the condensation formed when chilled water is poured into a glass. It does not, therefore, indicate a failure, wipe dry with a dry cloth.
7. When you hear a sound like water flowing.
 - A sound like water flowing is the refrigerant flowing. It does not indicate a malfunction.
8. When the cabinet's side panel heats up
 - The side panel of the cabinet will heat up when the door is opened or closed frequently, when starting the unit and when the unit operates in summer with high ambient outside temperature. In such cases, do not touch the panel, it results from the dissipation of the heat from inside the cabinet, and it does not mean that something is wrong with the refrigerator.