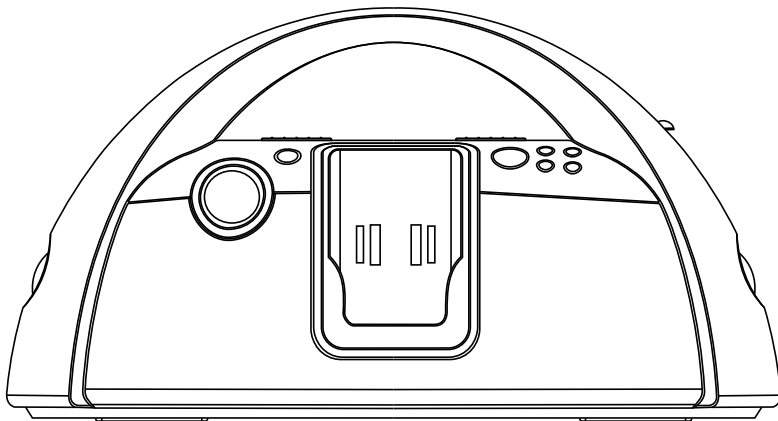


MODEL NO. iP1002MUK

PORTABLE DOCKING STATION FOR IPOD

OWNER'S MANUAL



PLEASE READ BEFORE OPERATING THIS EQUIPMENT

Warnings and Precautions

TO PREVENT FIRE OR SHOCK HAZARDS, DO NOT EXPOSE THIS UNIT TO RAIN OR MOISTURE.



This symbol, located on back or bottom of the unit, is intended to alert the user to the presence of uninsulated “dangerous voltage” within the product’s enclosure that may be of sufficient magnitude to constitute a risk of electric shock to persons.



This symbol, located on back or bottom of the unit, is intended to alert the user to the presence of important operating and maintenance (servicing) instructions in the literature accompanying the appliance.

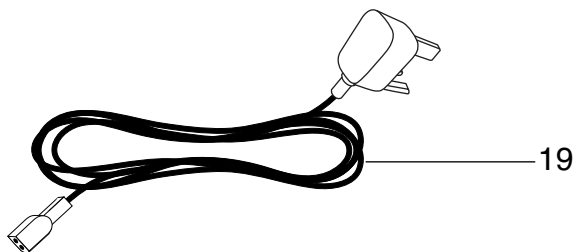
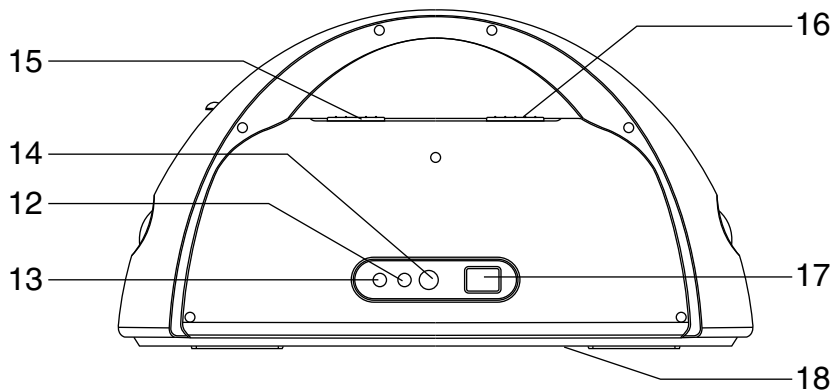
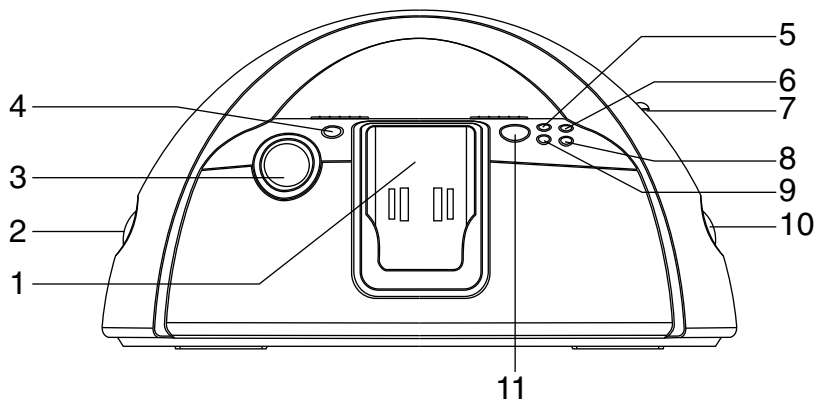
Any use of the controls or an adjustment to the procedures other than those specified herein may result in hazardous radiation.

CAUTION: TO PREVENT ELECTRIC SHOCK, MATCH WIDE BLADE OF PLUG TO WIDE SLOT, FULLY INSERT.

To reduce the risk of electric shock, do not remove cover (or back). There are no user-serviceable parts inside. Please refer any servicing to qualified service personnel.

WARNING: Changes or modifications to this unit not expressly approved by the party responsible for compliance could void the user’s authority to operate the equipment.

Features



Features Defined

1 iPod Docking Station Connect your iPod, iPod mini, or iPod nano.

2 VOLUME Press the up arrow to increase the volume, and the down arrow to decrease volume.

3 LCD Display View the Time, AM Indicator, iPod Indicator, and Radio Frequency through this Liquid Crystal Display.

4 POWER Press the POWER button to turn the radio off or on.

5 RADIO/AUX Press the FUNCTION button to switch between radio and Aux-in control.

6 MEM/CLK SET Press the MEM/CLK SET button to program a radio station into the presets, or to adjust the clock.

7 FM Antenna The FM Rod Antenna provides flexibility and range when adjusting the FM reception. An AM Antenna is built into the player.

8 IPOD Press the IPOD button to power on an iPod and enable control through the player.

9 BAND/STOP Press the BAND button to switch between AM or FM radio stations, or stop iPod playing.

10 Tuning/NEXT/PREV. Press the Tuning/NEXT/PREV. button to increase/decrease the radio frequency, or to increase/decrease the clock time when adjusting the clock. When iPod playing, press this button to skip to previous/next track or press & hold the button to backwards/forwards through a song.

11 PLAY/PAUSE/M-UP Press the PLAY/PAUSE/M-UP button to play or pause an iPod, or to cycle up through the preset radio stations.

12 Line-Out Use the Line-Out jack to connect the player to external speakers.

13 Aux-In Use the Aux-in jack to connect an iPod shuffle or other audio device to the player.

14 Video Out Plug the yellow connector of an AV Cord in the Video Output to send a video signal from a Video iPod to a source (TV) with a Video Input.

15 FM ST Toggle the FM ST switch between FM ST & FM MONO.

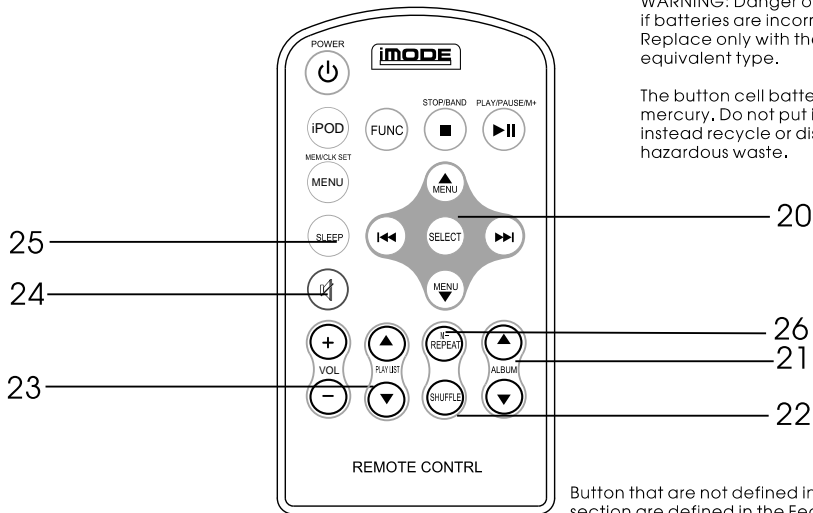
16 DBBS Press the DBBS button to switch BBS modes between On/Off.

17 AC Connector Plug in the detachable AC cord here.

18 Battery Compartment (8-C Batteries) The Battery Compartment allows the unit to run DC power.

19 AC Cord (230V / 50 Hz) The attached AC (Alternating Current) Cord provides power to the player.

Peripherals



WARNING: Danger of explosion if batteries are incorrectly installed. Replace only with the same or equivalent type.

The button cell battery contains mercury. Do not put in the trash, instead recycle or dispose of as hazardous waste.

Buttons that are not defined in the Peripherals section are defined in the Features section.

Peripheral Defined

20 Navigation Controls/SELECT Use the Navigation Controls to move through an iPod menu system, or change the radio station. Press the SELECT button to select a song, photo, or video on your iPod.

21 ALBUM Press up on the ALBUM button up or down to cycle through the different albums.

22 SHUFFLE Press the SHUFFLE button to randomly play songs on an iPod.

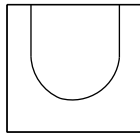
23 PLAYLIST Press up on the PLAYLIST button up or down to cycle through the different playlists.

24 MUTE Press the MUTE button to cancel the volume entirely.

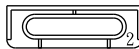
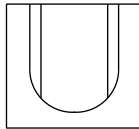
25 SLEEP Press the SLEEP button to set the player to turn off after 0-90 minutes.

26 REPEAT / M- Press the REPEAT button to switch between REPEAT 1, REPEAT ALL or off. Press the M- button to cycle down through preset radio stations.

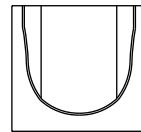
iPod Inserts



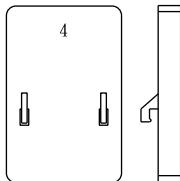
1. iPod nano 2GB/4GB



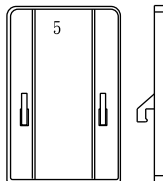
2. iPod nano 2GB/4GB/8GB



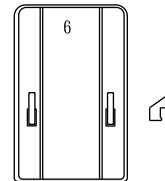
3. iPod mini 4GB/6GB



4. iPod w/video 30GB



5. iPod w/video 60GB/80GB



6. iPod photo & color U2 iPod 20GB/30GB
4G iPod & U2 iPod 20GB
3G iPod 10GB

Notes: Connect your iPod w/o inserts for below version
iPod photo 40GB/60GB
4G iPod 40GB
3G iPod 30GB/40GB

Operations

Setting the Clock

- a. Press and hold the CLK SET button.
- b. Press the Next/Prev button to toggle between 12HR and 24HR time, and press the CLK SET button to select either option.
- c. Press the Next/Prev button to cycle up/down through the hours. Press the CLK SET button to select the hour.
- d. Press the Next/Prev button to cycle up/down through the minutes. Press the CLK SET button to select the minute, and finish setting the time.

continued

Operations

Viewing Video or Photos from your iPod on an External Device

- a.** Using a video cable, connect an external device such as a TV to the Video Out port on the player.
- b.** Insert your iPod with video or photo capabilities into the iPod Docking Station with the appropriate insert.
- c.** You will now be able to control your iPod from the player's control panel. Using the PLAY/PAUSE, NEXT/SEARCH, and PREV/SEARCH buttons you can move from one video or photograph to the next, play, and pause.

Connecting Other Digital Audio Devices

- a.** Use a line-in cord to connect an iPod shuffle or other audio device to the line-in port.
 - b.** Press the RADIO/AUX button to activate the Aux-in.
 - c.** The iPod shuffle or other audio device will now play through the speakers of the player.
-

Operations

How to using radio

1. Plug the AC Power cord into a power outlet and press the POWER button.
2. If necessary, press the RADIO/AUX button to radio mode.
3. Press the BAND button to switch between AM / FM radio station.
4. Automatic Tuning - Press and hold the TUNING UP or DN buttons until the display begins to move, then release the buttons. The tuner will scan up or down the band until it finds the first strong station, and then stop on that station. Repeat this process until the tuner stops on your desired station.
5. Manual Tuning - Press and release the TUNING UP or DN buttons repeatedly until the display is showing the frequency of your desired station. Use the manual tuning method to tune to weaker stations that are bypassed during Automatic Tuning.

Antennas AM - If reception is weak, turn the unit to improve reception. FM - If reception is weak, adjust FM Rod Antenna length and the angle to improve reception.

Programming radio station presets

You can program as many as 10 FM and 10 AM radio station presets.

1. During power on mode, press RADIO/AUX button to select AM/FM band.
2. Press the TUNING UP/DN buttons to desire station you want store.
3. Press and hold the MEM/CLK SET button to activate the programming mode.
4. Press the TUNING UP/DN buttons to select the preset number you want to store.
5. Press and hold the MEM/CLK SET button to store the station.
6. Repeat Steps 2 through 5 to program additional presets.

Operations

To recall the radio station preset

1. Plug the AC Power cord into a power outlet and press the POWER button.
2. Press the RADIO/AUX Button on the front panel to radio mode.
3. Press the BAND button on the front panel to select AM/FM band.
4. Press the MEM-DN (button on the remote "M-") or PLAY/PAUSE/M-UP Button repeatedly until the preset number you want appears on the display.

LIMITED PRODUCT WARRANTY

Audio Product / Telecom Product / TV / DVD Product

This quality product is warranted to be free from manufacturer's defects in material and workman-ship, provided that the unit is used under the normal operating conditions intended by the manufacturer. Should any problems arise with this product, it is highly recommended to visit our website at www.curtisint.com. To better serve our valued customers, additional copies of operating manuals and trouble shooting tips have been posted on our website.

If your query remains unresolved, please feel free to email our support team at: info@curtisint.com or call our UK Customer helpline at: 0 800 032 5264

TERMS OF WARRANTY

Curtis International LTD warrants this product to be free from defects in materials and workmanship for 1 year on parts and 90 days on labor.

Nothing within this warranty shall imply that Curtis International LTD will be responsible or liable for any damage to any items placed in this product, whether due to any defect of the product, or its use, proper or improper.

This warranty is in addition to, and in no way impacts upon, your statutory rights.

TO OBTAIN REPLACEMENT / CREDIT / or REPAIRS UNDER THIS WARRANTY

1. The original purchaser must present a copy of the original bill of sale and this service warranty card.
2. Any alterations, abuse, misuse, battery corrosion or accidental damage voids the warranty.
3. The warranty does not cover cabinets and non essential accessories.
4. No warranty or insurance contained or set out shall apply when damage or repair is caused by power failure; damage in transit by the consumer , or when moving the unit; improper power supply; use for commercial or industrial purposes; service calls resulting in customer education, etc.
5. The defective product should be taken to your original supplier
6. Curtis International LTD reserves the right to repair or replace the parts which have become defective.

Please record the appropriate information indicated below on this Warranty Card and retain with your proof of purchase.

Model No..... Serial No.....

Date Purchased..... Supplier / Retailer