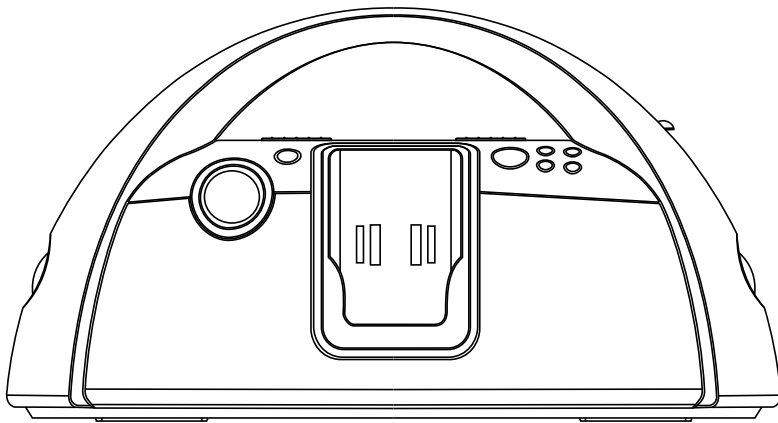


**MODEL NO. iP1002UK**

# **PORTABLE DOCKING STATION FOR IPOD**

**OWNER'S MANUAL**



**PLEASE READ BEFORE OPERATING THIS EQUIPMENT**

# Warnings and Precautions

---

TO PREVENT FIRE OR SHOCK HAZARDS, DO NOT EXPOSE THIS UNIT TO RAIN OR MOISTURE.



This symbol, located on back or bottom of the unit, is intended to alert the user to the presence of uninsulated “dangerous voltage” within the product’s enclosure that may be of sufficient magnitude to constitute a risk of electric shock to persons.



This symbol, located on back or bottom of the unit, is intended to alert the user to the presence of important operating and maintenance (servicing) instructions in the literature accompanying the appliance.

Any use of the controls or an adjustment to the procedures other than those specified herein may result in hazardous radiation.

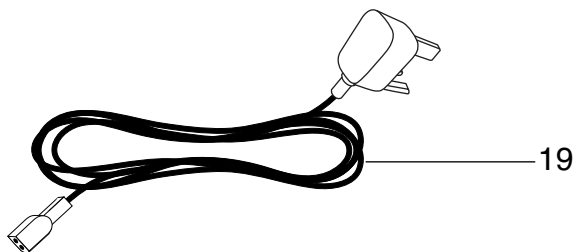
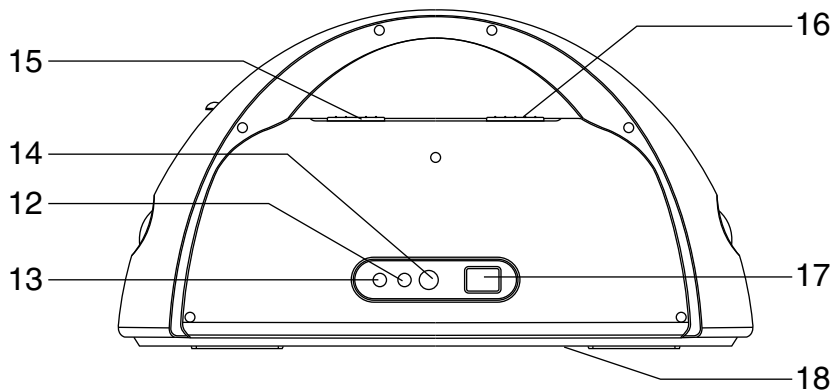
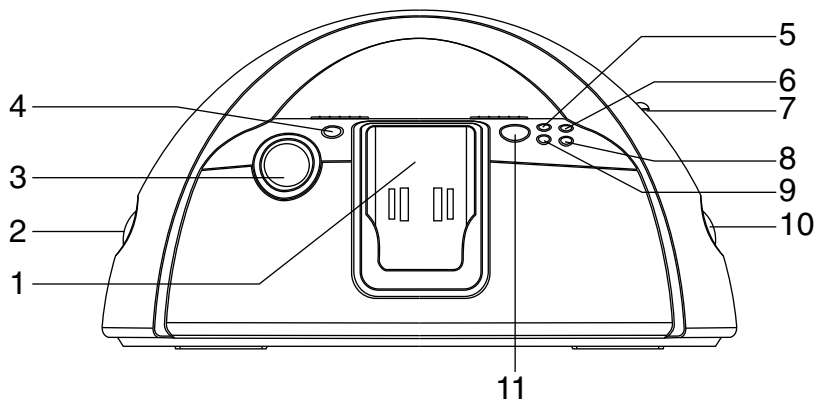
**CAUTION:** TO PREVENT ELECTRIC SHOCK, MATCH WIDE BLADE OF PLUG TO WIDE SLOT, FULLY INSERT.

To reduce the risk of electric shock, do not remove cover (or back). There are no user-serviceable parts inside. Please refer any servicing to qualified service personnel.

**WARNING:** Changes or modifications to this unit not expressly approved by the party responsible for compliance could void the user’s authority to operate the equipment.

# Features

---



# Features Defined

---

**1 iPod Docking Station** Connect your iPod, iPod mini, or iPod nano.

---

**2 VOLUME** Press the up arrow to increase the volume, and the down arrow to decrease volume.

---

**3 LCD Display** View the Time, AM Indicator, iPod Indicator, and Radio Frequency through this Liquid Crystal Display.

---

**4 POWER** Press the POWER button to turn the radio off or on.

---

**5 RADIO/AUX** Press the FUNCTION button to switch between radio and Aux-in control.

---

**6 MEM/CLK SET** Press the MEM/CLK SET button to program a radio station into the presets, or to adjust the clock.

---

**7 FM Antenna** The FM Rod Antenna provides flexibility and range when adjusting the FM reception. An AM Antenna is built into the player.

---

**8 IPOD** Press the IPOD button to power on an iPod and enable control through the player.

---

**9 BAND/STOP** Press the BAND button to switch between AM or FM radio stations, or stop iPod playing.

---

**10 Tuning/NEXT/PREV.** Press the Tuning/NEXT/PREV. button to increase/decrease the radio frequency, or to increase/decrease the clock time when adjusting the clock. When iPod playing, press this button to skip to previous/next track or press & hold the button to backwards/forwards through a song.

---

**11 PLAY/PAUSE/M-UP** Press the PLAY/PAUSE/M-UP button to play or pause an iPod, or to cycle up through the preset radio stations.

---

**12 Line-Out** Use the Line-Out jack to connect the player to external speakers.

---

**13 Aux-In** Use the Aux-in jack to connect an iPod shuffle or other audio device to the player.

---

**14 Video Out** Plug the yellow connector of an AV Cord in the Video Output to send a video signal from a Video iPod to a source (TV) with a Video Input.

---

**15 FM ST** Toggle the FM ST switch between FM ST & FM MONO.

---

**16 DBBS** Press the DBBS button to switch BBS modes between On/Off.

---

**17 AC Connector** Plug in the detachable AC cord here.

---

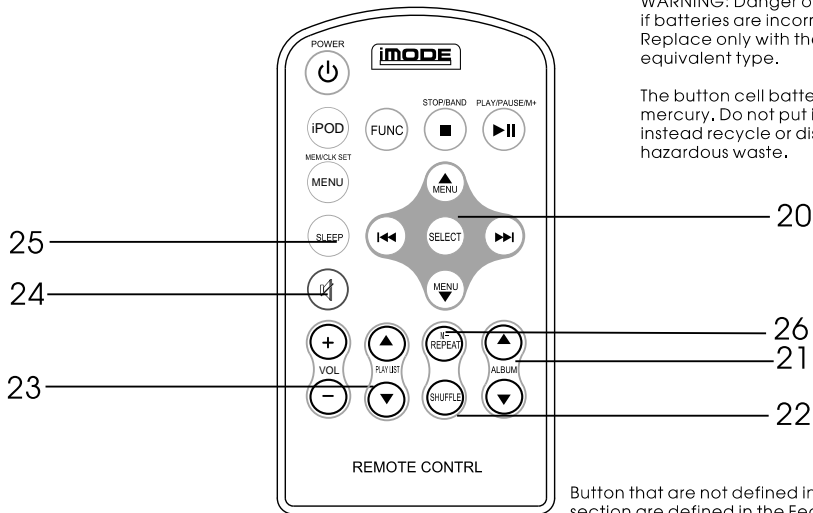
**18 Battery Compartment (8-C Batteries)** The Battery Compartment allows the unit to run DC power.

---

**19 AC Cord (230V / 50 Hz)** The attached AC (Alternating Current) Cord provides power to the player.

---

# Peripherals



WARNING: Danger of explosion if batteries are incorrectly installed. Replace only with the same or equivalent type.

The button cell battery contains mercury. Do not put in the trash, instead recycle or dispose of as hazardous waste.

Buttons that are not defined in the Peripherals section are defined in the Features section.

## Peripheral Defined

**20 Navigation Controls/SELECT** Use the Navigation Controls to move through an iPod menu system, or change the radio station. Press the SELECT button to select a song, photo, or video on your iPod.

**21 ALBUM** Press up on the ALBUM button up or down to cycle through the different albums.

**22 SHUFFLE** Press the SHUFFLE button to randomly play songs on an iPod.

**23 PLAYLIST** Press up on the PLAYLIST button up or down to cycle through the different playlists.

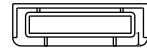
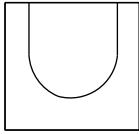
**24 MUTE** Press the MUTE button to cancel the volume entirely.

**25 SLEEP** Press the SLEEP button to set the player to turn off after 0-90 minutes.

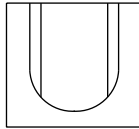
**26 REPEAT / M-** Press the REPEAT button to switch between REPEAT 1, REPEAT ALL or off. Press the M- button to cycle down through preset radio stations.

# iPod Inserts

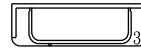
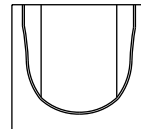
---



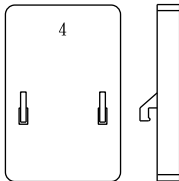
1. iPod nano 2GB/4GB



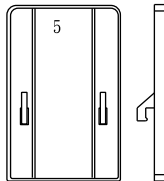
2. iPod nano 2GB/4GB/8GB



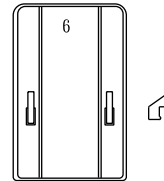
3. iPod mini 4GB/6GB



4. iPod w/video 30GB



5. iPod w/video 60GB/80GB



6. iPod photo & color U2 iPod 20GB/30GB  
4G iPod & U2 iPod 20GB  
3G iPod 10GB

Notes: Connect your iPod w/o inserts for below version  
iPod photo 40GB/60GB  
4G iPod 40GB  
3G iPod 30GB/40GB

## Operations

---

### Setting the Clock

- a. Press and hold the CLK SET button.
- b. Press the Next/Prev button to toggle between 12HR and 24HR time, and press the CLK SET button to select either option.
- c. Press the Next/Prev button to cycle up/down through the hours. Press the CLK SET button to select the hour.
- d. Press the Next/Prev button to cycle up/down through the minutes. Press the CLK SET button to select the minute, and finish setting the time.

continued

---

# Operations

---

## Viewing Video or Photos from your iPod on an External Device

- a.** Using a video cable, connect an external device such as a TV to the Video Out port on the player.
- b.** Insert your iPod with video or photo capabilities into the iPod Docking Station with the appropriate insert.
- c.** You will now be able to control your iPod from the player's control panel. Using the PLAY/PAUSE, NEXT/SEARCH, and PREV/SEARCH buttons you can move from one video or photograph to the next, play, and pause.

## Connecting Other Digital Audio Devices

- a.** Use a line-in cord to connect an iPod shuffle or other audio device to the line-in port.
  - b.** Press the RADIO/AUX button to activate the Aux-in.
  - c.** The iPod shuffle or other audio device will now play through the speakers of the player.
-

# Operations

---

## How to using radio

---

1. Plug the AC Power cord into a power outlet and press the POWER button.
2. If necessary, press the RADIO/AUX button to radio mode.
3. Press the BAND button to switch between AM / FM radio station.
4. Automatic Tuning - Press and hold the TUNING UP or DN buttons until the display begins to move, then release the buttons. The tuner will scan up or down the band until it finds the first strong station, and then stop on that station. Repeat this process until the tuner stops on your desired station.
5. Manual Tuning - Press and release the TUNING UP or DN buttons repeatedly until the display is showing the frequency of your desired station. Use the manual tuning method to tune to weaker stations that are bypassed during Automatic Tuning.

**Antennas** AM - If reception is weak, turn the unit to improve reception. FM - If reception is weak, adjust FM Rod Antenna length and the angle to improve reception.

## Programming radio station presets

---

You can program as many as 10 FM and 10 AM radio station presets.

1. During power on mode, press RADIO/AUX button to select AM/FM band.
2. Press the TUNING UP/DN buttons to desire station you want store.
3. Press and hold the MEM/CLK SET button to activate the programming mode.
4. Press the TUNING UP/DN buttons to select the preset number you want to store.
5. Press and hold the MEM/CLK SET button to store the station.
6. Repeat Steps 2 through 5 to program additional presets.

# Operations

---

## To recall the radio station preset

1. Plug the AC Power cord into a power outlet and press the POWER button.
2. Press the RADIO/AUX Button on the front panel to radio mode.
3. Press the BAND button on the front panel to select AM/FM band.
4. Press the MEM-DN (button on the remote "M-") or PLAY/PAUSE/M-UP Button repeatedly until the preset number you want appears on the display.

