

# iMode

## Portable CD Docking Station for iPod Digital AM/FM Radio

Model: IP1007UK





**BEFORE OPERATION THIS PRODUCT, READ, UNDERSTAND, AND FOLLOW THESE INSTRUCTIONS.**

**Be sure to save this booklet for future reference.**



The Lightning flash with arrowhead symbol, with an equilateral triangle is intended to alert the user of the presence of uninsulated dangerous voltage within the product's enclosure that may be of sufficient magnitude to constitute a risk of electric shock to persons.



CAUTION: TO REDUCE THE RISK OF ELECTRIC SHOCK, DO NOT REMOVE COVER (OR BACK). NO USER SERVICEABLE PARTS INSIDE. REFER SERVICING TO QUALIFIED SERVICE PERSONNEL.



The exclamation point within an equilateral triangle is intended to alert the user of the presence of important operating and maintenance (servicing) instructions in the literature accompanying the appliance.

**CAUTION :** TO PREVENT ELECTRIC SHOCK,  
MATCH WIDE BLADE OF PLUG  
TO WIDE SLOT, FULLY INSERT.

**WARNING :** TO REDUCE THE RISK OF FIRE  
OR ELECTRIC SHOCK, DO NOT  
EXPOSE THE APPLIANCE TO RAIN  
OR MOISTURE.

## **IMPORTANT SAFETY INSTRUCTIONS**

1. **Read instructions** - All the safety and operating instructions should be read before the appliance is operated.
2. **Retain instructions** - The safety and operating instructions should be retained for future reference.
3. **Head Warnings** - All warnings and cautions on the appliance and in the operating instructions should be adhered to.
4. **Follow instructions** - All operating and use instructions should be followed.
5. **Water and Moisture**-The appliance should not be used near water, e.g. near a bathtub, washbowl, kitchen sink, laundry tub, in a wet basement, or near a swimming pool or the like.

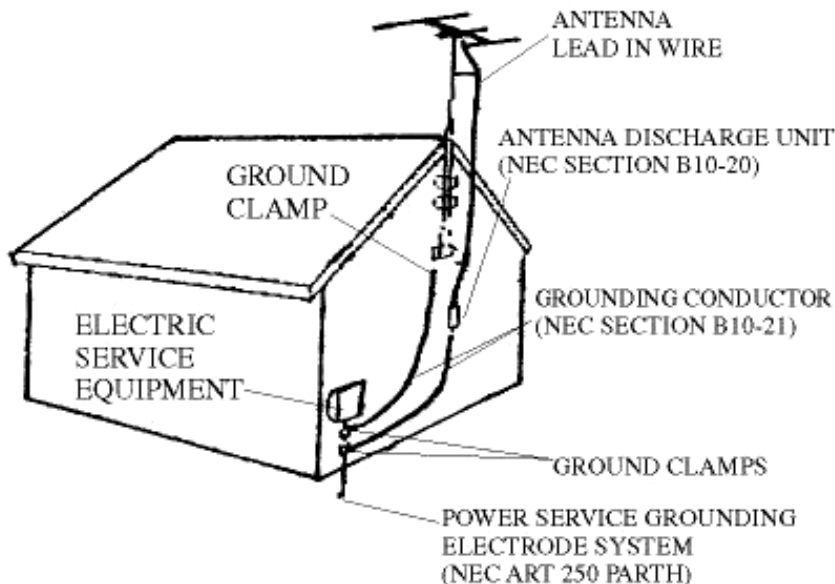
6. **Wall or Ceiling Mounting** - The appliance should not be mounted to a wall or ceiling.
7. **Heat** - The appliance should be situated away from heat sources such as radiators, heat registers, stoves, or other appliances (including amplifiers) that produce heat.
8. **Power Sources** - The product should be operated only with the type of power supply indicated on the marking label. If you are not sure of the type of power supply to your home, consult your product dealer or local power company. For products intended to operate from battery power, or other sources, refer to the operation instructions.
9. **Grounding Polarization** - This product may be equipped with a polarized alternating current line plug (a plug having one blade wider than the other). This plug will fit into the power outlet only one way this is a safety feature. If you are unable to insert the plug fully into the outlet, try reversing the plug. If the plug should still fail to fit, contact your electrician to replace your obsolete outlet. Do not defeat the safety purpose of the polarized plug.
10. **Power-Cord Protection** - Power supply cords should be routed so that they are not likely to be walked on or pinched by items placed upon or against them, paying particular attention to cords at plugs, convenience receptacles, and the point where they exit from the appliance.
11. **Cleaning** - The appliance should be cleaned only as recommended by the manufacturer.
12. **Nonuse periods** - The power cord of the appliance should be unplugged from the outlet when left when left unused for a long period of time.
13. **Object and Liquid Entry** - Care should be taken so that objects do not fall and liquids are not spilled into the product case through product openings.
14. **Damage Requiring Service** - Unplug this product from the wall outlet and take it to qualified service personnel under the following conditions.
  - a) When the power-supply cord or plug is damaged.
  - b) If liquid has been spilled into, or objects have fallen into the product.
  - c) If the product has been exposed to rain or water.
  - d) If the product does not operate when used according to the operating instructions.

Adjust only those controls that are covered by the operating instructions as an improper adjustment of other controls may interfere with the product's normal operation.
  - e) If the product has been dropped or damaged in any way.
  - f) When the product exhibits a distinct change in performance-this indicates a need for service.
15. **Servicing** - The user should not attempt to service the product beyond that described in the operating instruction. All servicing should be referred to qualified service personnel.
16. **Power Lines** - An outside antenna system should not be located in the vicinity of overhead power lines, or other electric light or power circuits, or where it can fall into such power lines or circuits. When installing an outside antenna system, extreme care should be taken to keep from touching power lines or circuits as contact with them might be fatal.
17. If an outside antenna is connected to the receiver, be sure the antenna system is grounded so as to provide some protection against voltage surges and built up static. Section 810 of the National Electrical Code ANSI/NEFA 70 provides information with respect to proper grounding of the mast and supporting structure, grounding conductress, location of antenna-discharge unit, size of grounding electrodes, and requirements for the grounding electrode (see figure).
18. **Cleaning** - Unplug this product from the wall outlet before cleaning. Do not use liquid cleaners or aerosol cleaners. Use a damp cloth for cleaning.
19. **Lightning** - For added protection for this product during a lightning storm, or when it is left unattended and unused for long periods of time, unplug it from the wall outlet and disconnect

the antenna or cable system. This will prevent damage to the product due to lightning and power-line surges.

20. **Safety Check** - Upon completion of any service or repairs to this product, ask the service technician to perform safety checks to determine that the product is in proper operation condition.
21. **Overloading** - Do not overload wall outlets, extension cords, or integral convenience receptacles as this can result in a risk of fire or electric shock.
22. The apparatus shall not be exposed to dripping or splashing and that no objects filled with liquids, such as vases, shall be placed on apparatus.
23. "To be completely disconnect the power input, the mains plug of apparatus shall be disconnected from the mains" as the disconnect device is the mains plug of apparatus.
24. The mains plug of apparatus should not be obstructed OR should be easily accessed during intended use.
25. Excessive sound pressure from earphones and headphones can cause hearing loss.
26. Battery shall not be exposed to excessive heat such as sunshine, fire or the like,
27. Minimum distances 5 cm around the apparatus for sufficient ventilations.
28. The ventilation should not be impeded by covering the ventilation openings with items such as newspaper, table-clothes, curtains etc.
29. No naked flame sources such as lighted candles should be placed on the apparatus.
30. Attention should be drawn to the environmental aspects of battery disposal.
31. The use of apparatus in moderate climates.

#### EXAMPLE OF ANTENNA GROUNDING AS PER NATIONAL ELECTRICAL CODE



## SAVE THESE INSTRUCTIONS FOR FUTURE REFERENCE

### CONDENSATION

If coldwater is poured into a glass, water droplets form on the outside of the glass. This is called condensation. Condensation may also occur on internal operating parts of the laser pickup.

Condensation occurs:

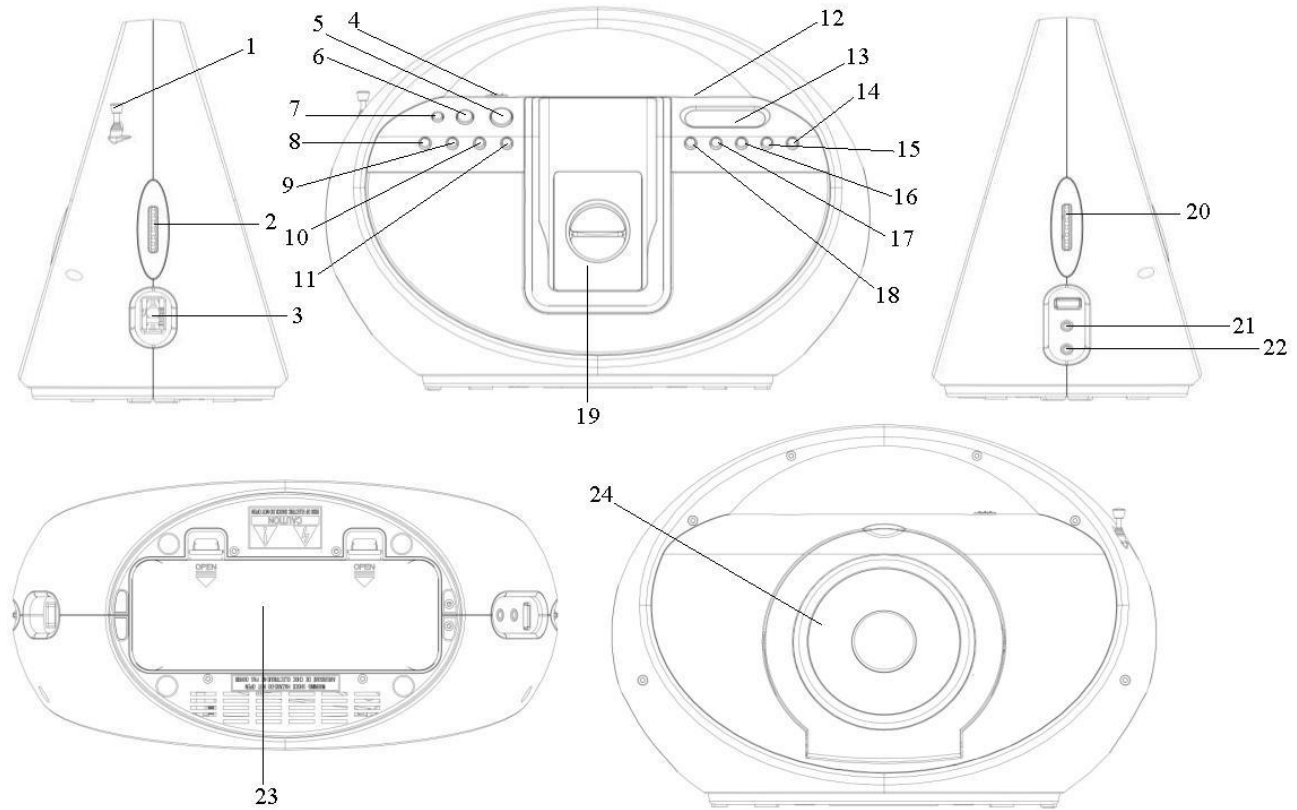
- When the unit is brought from the outdoors into a warm room, or if it is in a cold room which is heated quickly.
- In the summer, if the unit is moved suddenly from an air-conditioned room or car to a hot or humid location.

**CAUTION** : USE OF CONTROLS, ADJUSTMENTS, OR PERFORMANCE PROCEDURE HEREIN MAY RESULT IN HAZARDOUS RADIATION EXPOSURE.

### **NOTE:**

**The rating plate is located at the bottom enclosure of the apparatus.**

## LOCATION OF CONTROLS



1. FM antenna
2. Volume Control Knob
3. AC Jack In
4. Function Selector
5. Power Button
6. Play/Pause Button
7. Stop Button
8. Program Button
9. repeat Button
10. Skip- Button
11. Skip+ button
12. Band Selector

13. LCD Display
14. Alarm On/Off Button
15. Hour Button
16. Minute Button
17. Time Set Button
18. Alarm Set Button
19. iPod Docking
20. Tuning Control Knob
21. Aux Jack
22. Phones Jack
23. Battery Compartment
24. CD Door

## Power Supply:

This unit can be powered by batteries or AC (electric) power. For battery-powered operation, remove the Battery Compartment Cover and insert six C-size alkaline batteries (not included). Replace the cover. For AC power, connect the AC power cord to the AC Socket and plug into a standard 110V (60Hz) AC electrical outlet.

### BATTERY SAFETY PRECAUTIONS

- Keep batteries away from children and pets.
- Insert the battery observing the proper polarity (+/-). Failure to properly align the battery polarity can cause personal injury and/or property damage.
- Remove spent or discharged batteries from the product. Remove the battery when the product will not be used for extended periods of time to prevent damage due to rusted or corroded batteries
- Never throw batteries into a fire, Do not expose batteries to fire or other heat sources
- Battery Disposal: Spent or discharged batteries must be properly disposed of and recycled in compliance with all applicable laws. For detailed information, contact your local country solid waste authority
- Follow the battery manufacturer's safety, usage, and disposal instructions.

### CAUTION

**Danger of explosion if battery is incorrectly replaced.  
Replace only with the same or equivalent type**

### SETTING THE CLOCK TIME

Connect the AC power cord to a wall outlet. Make sure the unit is in Standby Mode.

1. While pressing and holding the TIME.SET BUTTON, press the HOUR BUTTON to set desired hour.
2. While Pressing and holding the TIME.SET BUTTON, press the MINUTE BUTTON to set desired minute.

### TO SET ALARM FUNCTION

The radio, buzzer or CD automatically sounds at the designated time every day.

1. Power off the unit and enter into "POWER OFF" mode. While pressing and holding the AL.SET BUTTON, press the HOUR BUTTON to set desired alarm hour.
2. While pressing and holding the AL.SET BUTTON, press the MIN BUTTON to set desired alarm minute.
3. After setting the alarm time as your desired, remember to press AL.ON/OFF button to

turn on the alarm function. (An alarm signal will show on LCD display)

#### TO WAKE UP TO BUZZER:

- a. Press Power Button to turn off the unit.
- b. Slide Function Selector to BUZZ position.
- c. The alarm buzzer will sound at the set alarm time.

**Note:** Press ALARM ON/OFF button to turn off the alarm when it sounds.

#### TO WAKE UP TO CD:

- a. Press Power Button to turn on the unit.
- b. Slide Function Selector to CD Mode.
- c. Open the CD Door and insert a CD (with the label side facing up) into the CD compartment.
- d. Adjust the volume as desired
- e. Close the CD Door.
- f. Press Power Button to turn off the unit.
- g. The CD will sound at the set alarm time playing the first track on the CD.

**Note:** To deactivate the alarm (CD playing) manually, press the STOP Button

#### TO WAKE UP TO RADIO:

- a. Press Power button to turn on the unit.
- b. Slide Function Selector to Radio Mode.
- c. Slide Band Selector to your desired band.
- d. Tune the radio to a broadcasting station and adjust the volume as desired.
- e. Press POWER button to turn off the unit first.
- f. The radio will sound at the set alarm time.

**Note:** To deactivate the alarm (Radio sound) manually, press the POWER BUTTON to turn off.

### **Radio Operation**

1. Press Power button to turn on the unit.
2. Slide the FUNCTION SELECTOR to "RADIO" position.
3. Slide the BAND SWITCH to the desired position (AM,FM or FM Stereo).
4. Rotate the Tuning Knob to the desired radio station.
5. Adjust the VOLUME CONTROL KNOB to your preferred Listening Level.
6. After listening, Press the POWER BUTTON to turn off the unit.

Note: Turn the unit for better AM/FM reception.

If the FM reception is noisy in FM STEREO Mode, switch the band selector to the FM position and the program will be received in Mono radio.

### **PLAY A COMPACT DISC (CD)**

1. Open the CD Door.
2. Insert a CD with label side facing up into the CD compartment.
3. Close the CD Door.

4. Press Power button to turn on the unit.
5. Slide the FUNCTION.SELECTOR to CD position.
6. The disc will rotate for a few seconds and the first track of the CD will be played.
7. To pause the CD while in the play mode. Press the PLAY/PAUSE BUTTON. Press the PLAY/PAUSE BUTTON again to resume the play mode.
8. Press STOP BUTTON to stop the CD play.

### **REWIND/FORWARD FUNCTION**

- The SKIP- and SKIP+ BUTTON can be used to jump to different track number or to scan disc tracks at high speed.
- Press the SKIP- BUTTON once to hear the beginning of the current track on the disc (in CD play mode)
- Press the SKIP- BUTTON twice continuously to hear the previous track on the disc (in CD play mode)
- Press the SKIP+ BUTTON once to hear the next track on the disc (in CD play mode)
- For fast forwarding or rewinding the disc, press and hold the SKIP+ BUTTON or the SKIP- BUTTON. Release the BUTTON and normal play will resume

### **REPEAT FUNCTIONS**

- The REPEAT BUTTON can be used to repeat a single track and repeat all the tracks.
- To repeat a single track. Press the REPEAT BUTTON once. RPT 1 will show on the LCD Display.
- To repeat all of the tracks on a CD. Press the REPEAT BUTTON a second time. RPT ALL will show on the LCD Display.
- To exit the REPEAT mode. Press the REPEAT BUTTON a third time..

### **PROGRAM FUNCTION**

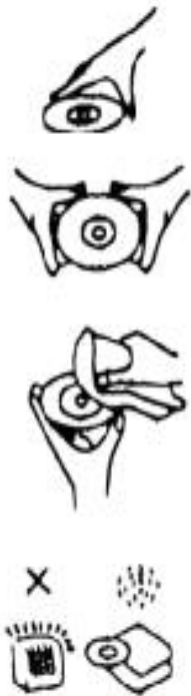
Program up to 20 tracks to play in a select order.

1. While in the Stop mode only (CD is not playing), press the PROGRAM BUTTON and "PROG 01" will blink in the LCD Display.
2. Press the SKIP- or SKIP+ BUTTON to allocate the desired track,
3. Press the PROGRAM BUTTON to store the track into memory, The next memory location (i.e. P 02) will show on the LCD Display.
4. Repeat step 2 and step 3 to program up to 20 tracks.
5. Press the PLAY/PAUSE BUTTON to play the selected tracks in the program mode. The track number and "PROG" will appear in the LCD Display.

6. To advance to the next programmed track. Press the F.FWD/HOUR BUTTON. After all programmed tracks have played. The CD player will return to stop mode.
7. To clear the program function, press STOP BUTTON to clear the previous programmed tracks.

## HANDLING A COMPACT DISC

Always protect a disc against scratches, soil, dust and etc. If a disc is treated with reasonable care, wiping off the disc with a soft cloth should be the only maintenance needed to retain its excellent sound reproduction. Discs should be retained in their original case during periods of non-use.



1. Handle a disc only by its edges, Do not touch the surface or rainbow-colored side of the disc
2. Use a soft cloth to wipe a disc clean. Do not use benzene, thinner, or other chemical cleaners to clean the disc as damage may result. A disc should always be wiped in a straight line from its center to its edge. Never wipe a disc in a circular motion.
3. Do not expose a disc to direct sunlight, high humidity, or high temperatures for extended periods of time. Do not place the Disc on other equipment or near any heat source.
4. Dust on the pickup lens can lead to erratic operation and interruption of the sound during play. To clean the pickup lens, open the disc compartment and blow the dust off. Using a camera lens blower (available at most camera stores)
5. Do not touch the surface of the lens. Do not allow any liquids on the inside of the product.
6. To clean the CD player cabinet, use a soft and damp cloth to wipe off the exterior surface.
7. Never use benzol, benzene, or other strong chemical cleaners, as these could damage the finish.

## iPod Installation and Use

### *Installing the iPod into the Unit:*

1. Rotate the Docking Plate that corresponds to the model of iPod to be used, and place the iPod into Dock
2. Ensure that the iPod is firmly in place..  
**NOTE:** For older iPods that do not have a Dock Connector, use a stereo audio cable (not included) to connect the device to the Auxiliary Input Jack on the back of the unit (see the "Using a Non-Docking iPod or Other Audio Device" subsection)
3. Slide the Function Selector to AUX/iPod position.
4. Browse for a song on iPod, then press Play ( ▶ || ) and enjoy!

### **Charging the iPod in the Unit:**

The unit will recharge the iPod while docked. Ensure the iPod is properly inserted.

**NOTE:** *The unit will not charge an iPod Shuffle or any other audio device.*

## **HEADPHONE JACK**

This unit is equipped with a HEADPHONE JACK for private listening. Simply plug any 3.5 mm plug type stereo headphone into the HEADPHONE JACK. With the headphone connected, the speaker in the unit will be automatically disconnected.

## **AUX INPUT JACK**

1. Power on the unit.
2. Connect the AUX connect wire from the out jack of your Personal Player such as portable MP3 player to the AUX input jack.
3. Slide the Function Selector to "AUX/iPod" position.
4. Play Start from your Personal Player.

**\*\*\*\*\*SAVE THIS INFORMATION\*\*\*\*\***